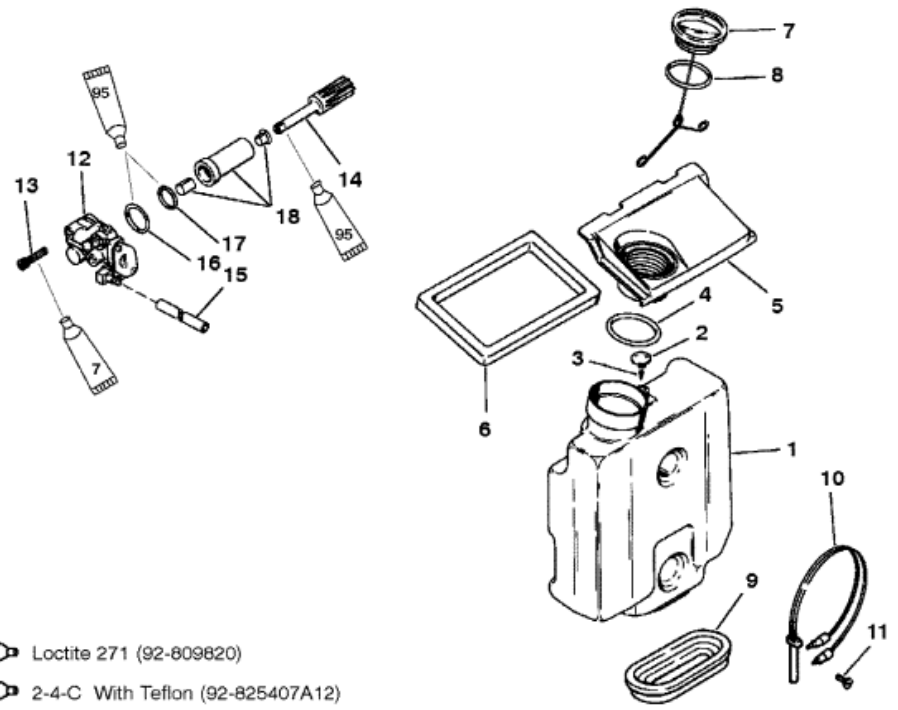
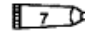
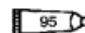


Parts List					
Ref	Class	Part	Description	Qty	Footnote
1	1264	812778A	OIL TANK ASSEMBLY	1	
2		19299A	VENT	1	
3	21	64871	VALVE	1	
4	25	11332	O-RING	1	
-	32	90049	SIGHT TUBE	1	
-	54	814200	CLAMP	2	
5		812988A	INSERT-OIL CAP	1	
6		813641	SEAL	1	
7	36	19070A	CAP ASSEMBLY	1	
8	25	90186	O-RING	1	
9		99161	BOOT-OIL TANK	1	
10	87	12886A	SWITCH	1	
11	10	12896	SCREW	1	
12		812690	OIL INJECTION PUMP	1	
13	10	55515	SCREW-OIL PUMP	2	
14	43	19277	DRIVEN GEAR	1	
15	32	823813	TUBING	1	
16	25	62705	O-RING	1	
17	25	48462	O-RING	1	
18	23	19278A	BEARING ASSEMBLY-DRIVEN GE	1	



-  Loctite 271 (92-809820)
-  2-4-C With Teflon (92-825407A12)